

# Wall Control Panel

## Instructions for Model: M3-503

### FEATURES

The Wall Control Panel will allow you to control your garage door from inside the garage. The control panel must be mounted within sight of the garage door, clear of all moving garage door parts—or any associated parts—and at least 5' above the floor to prevent the use of these controls by children. The wall control should only be used when the door is in clear sight of the user and the door are is free of people or any obstructions.

### Step 1. Installing the Wall Control Panel

- Attach wiring to back of wall control panel (Fig. 1). White wire attaches to terminal #3 screw, white wire with color stripes attaches to terminal #4 screw.
- Position wall control panel onto wall in desired location.
- Mark hole location on wall.
- Drill 1/16" pilot holes into wall.
- Insert and tighten screws to secure control panel to wall.
- Make sure wiring is routed out from behind control through one of the cutouts to avoid pinching the wires.

*If mounting to drywall instead of wood, drill 3/16" pilot holes and use anchors provided.*

*If mounting to electrical box that is prewired for this purpose, mount directly to box with proper screws provided (Fig. 2).*

### Step 2. Connecting Wires to the Power Head

- Run wires along wall and ceiling to opener power head. Use provided staples to secure wiring to wall, joists and/or ceiling. Do not pinch wiring. Drive staples with only enough force to hold wiring in place.
- Insert wiring from chassis side (top) of power head, through wire guide, to terminal area of control panel (Fig. 3).
- Separate and strip end of each wire approximately 1/2".
- Connect wires to power head (white wire to terminal hole #3, white wire with color stripes to terminal hole #4).
- Simply insert each wire firmly into terminal hole by pushing directly into hole. If a wire is difficult to insert, you can use a screwdriver to depress the terminal "tab" while inserting the wire.
- To remove wiring, depress tab again and pull out wiring.

### Multiple Wall Controls (Fig. 4)

- Multiple wall controls may be installed in parallel with wires connected to terminals 3 and 4.
- Detach right side panel from one of the wall controls.
- Attach wiring to back of both wall controls (White wires to terminal #3 screws, wires with stripes to terminal #4 screws.)
- Follow the same steps as above to mount additional wall control panels and wire connections.

Fig. 1

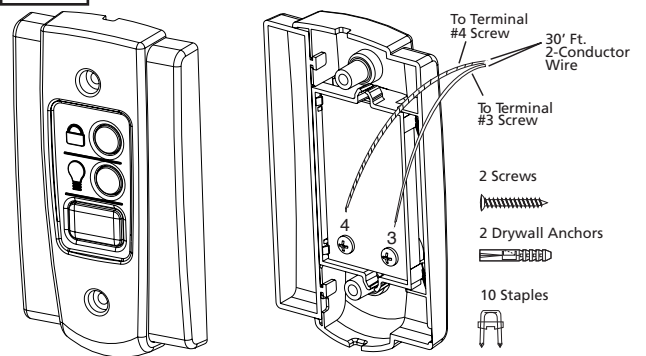


Fig. 2

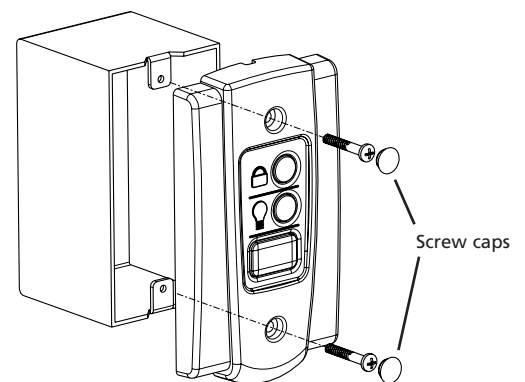


Fig. 3

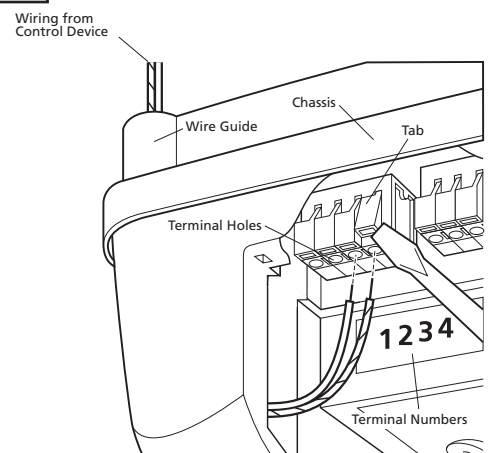


Fig. 4

